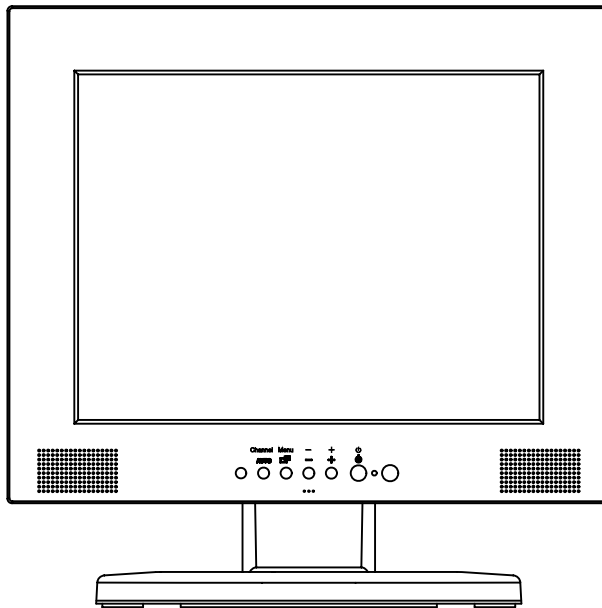


# 15"/17"/19" TFT LCD MONITOR

## User's Manual

MODEL:HCD -15AH/ 17AH/ 19AH



# Menu:

## 1.Introduction

Product Description .....	Page.2
Package Contents .....	Page.2
Product Features .....	Page.2
Cleaning .....	Page.3
Precautions .....	Page.3

## 2.Control Function

OSD Button .....	Page.5
OSD Control .....	Page.6
HOT Control .....	Page.7

## 3.Inputs Diagram

Inputs .....	Page.8
--------------	--------

## 4.Display Angle..... Page.10

## 5. Product Specification ..... Page.11

## 6.isplay Modes ..... Page.14

## 7.ervice Information..... Page.15

# **Introduction**

## **Product Description**

Congratulations on your purchasing this new generation of monitor. Your LCD monitor incorporates high quality display into a small light weighted module. It has power-saving capabilities and emits no X-ray radiation. You will certainly benefit from this monitor in lots of way; to name some of them, comfort safety and environmental protection.

This LCD monitor incorporates 15"/17"/19" color active matrix thin-film-transistor (TFT) liquid crystal display to provide superior display performance. A maximum resolution of 15" XGA 1024x768 / 17"/19" SXGA 1280x1024 is ideal for displaying complex graphics and high definition images. Other outstanding designs that enhance this LCD monitor's performance are Plug & play compatibility, audio system and OSD (On Screen Display) controls.

## **Package Contents**

Included with your LCD monitor are following items:

- 15"/17"/19" TFT LCD monitor
- 15pin D-sub signal cable
- AC Power cable
- User's manual

## **Product Features**

- High contrast color TFT LCD display support resolution up to 15" XGA 1024x768 / 17"/19" SXGA 1280x1024
- Compatible with IBM VGA, VESA, and Macintosh standards.
- PC line in sound application.

## **Cleaning**

- Gently wipe screen with a clean camel hair lens brush, or soft, clean, lint-free

cloth.

- This removes dust and other particles that can scratch the screen,
- Do not apply pressure to the screen surface when wiping it clean.
- Do not pour or spray any liquid directly onto the screen or case of the LCD monitor .
- Chemical cleaners have been reported to damage the screen or the LCD monitor .

## **Precautions**

- Read all these instructions and save them for later use.
- Follow all warning and instructions on the product.

### Product

- Do not block the vent holes in the case.
- Do not insert sharp objects or spill liquid into the LCD monitor through cabinet slots.  
They may cause accident fire, electric shock or failure.
- Disconnect the power plug from the AC outlet if you will not use it for an indefinite period of time.
- Do not attempt to service this product yourself, as opening or removing covers may expose you to dangerous voltage points or other risks.
- Do not touch the screen directly with your fingers. You may damage the screen, and the oil from your skin is difficult to be removed.
- Do not apply pressure to screen. The LCD is very delicate.

### Power

- Use the type of power indicated on the marking label.

### Plugs

- Do not remove any of the prongs of the monitor's three-pronged power plug.
- Disconnect the power plug from the AC outlet under following conditions.
- If you will not use it for an indefinite period time.
- When the power cord or plug is damaged or frayed.
- If the product does not operate normally when the operating instructions are followed.
- Adjust only those controls may result in damage and will often require

extensive work by a qualified technician to restore the product to normal operation.

- If the product has been dropped or the cabinet has been damaged.
- If the product exhibits a distinct change in performance, indicating a need for service.

#### Power and extension cords.

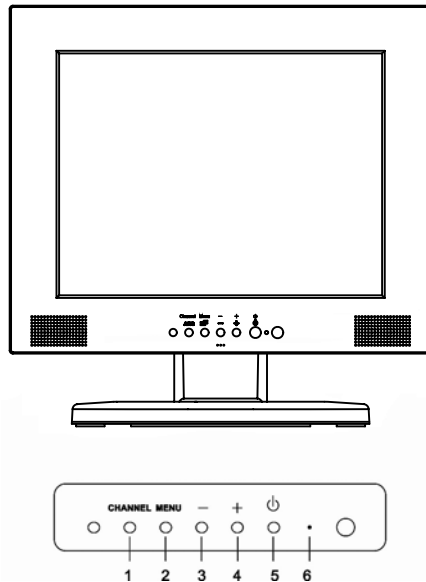
- Do not allow anything to rest on the power cord.
- Do not locate this product where persons will walk on the cord.
- Use the proper power cord with correct attachment plug type. If the power source is 120V AC, use a power cord that has UL and C-UL approvals. If the power source is a 240V AC supply, use the tandem (T blade) type attachment plug with ground conductor power cord that meets the respective European country's safety regulations, such as VDE for Germany.
- Do not overload wall outlets or power cords. Ensure that the total of all units plugged into the wall outlet does not exceed 10 amperes.
- Ensure that the total ampere ratings on all units plugged into the extension cord is not above the cord's rating.
- If the power supply cord, which came with your monitor, is to be connected to the PC instead of the wall outlet, this equipment is to be used with UL/TUV approved computers with receptacle rated 100~240V AC, 50/60Hz, 1.0A(minimum).

#### Environment

- Place the monitor on a flat and leveled surface.
- Place the monitor in a well-ventilated place.
- Keep the monitor away from:  
Overly hot, cold or humid places, or places directly under sunlight, dusty surroundings, equipment that generate strong magnetic fields.

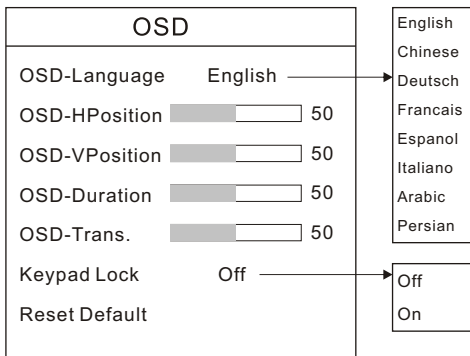
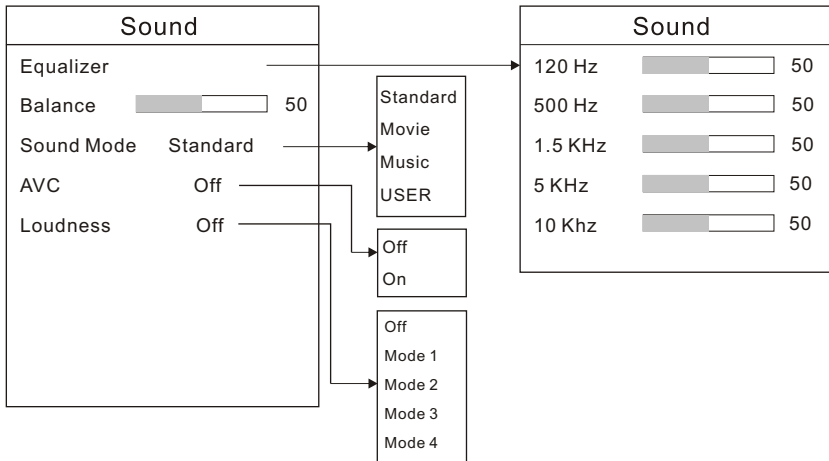
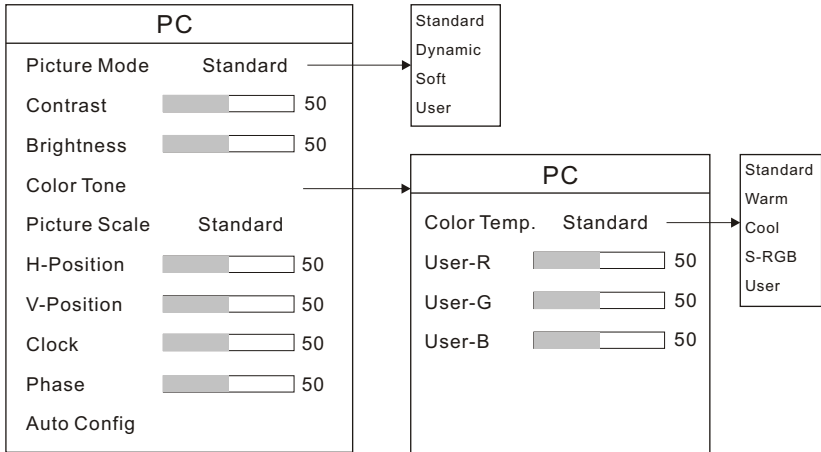
# Control Function

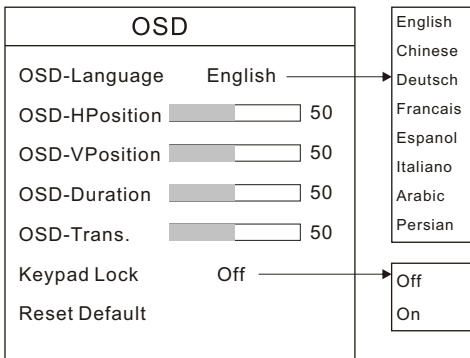
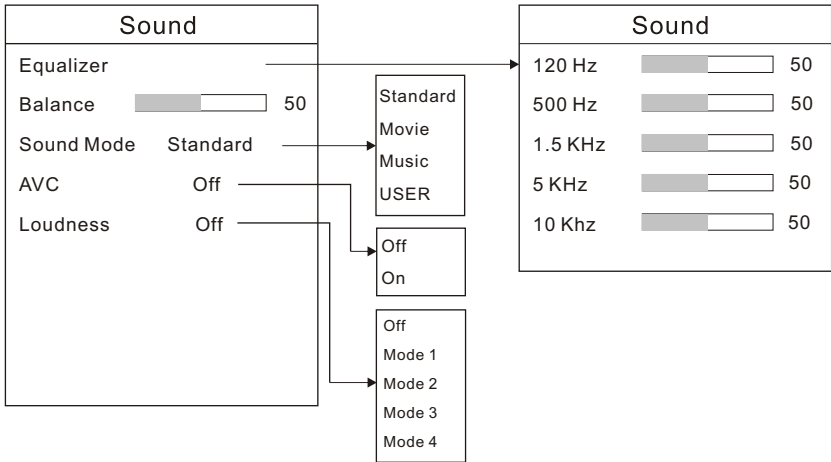
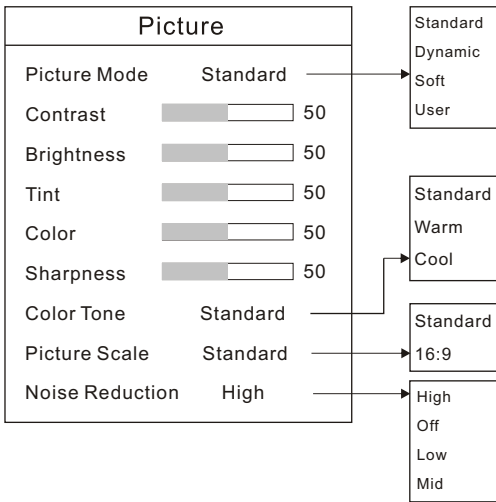
## Control Button Front View



- 1.Channel: Selects input mode:VGA>VIDEO>S-VIDEO>VGA>DVI(for 19")
- 2.OSD Menu: Selects OSD control options on the screen
- 3.Decrease: Decreases the value of selected OSD control option and decreases the volume
- 4.Increase: Increases the value of selected OSD control option and increases the volume
- 5.Power switch: Turns power on/off
- 6.Power LED: Indicates different status when unit operates in different modes

# OSD CONTROL







# **HOT KEY CONTROL**

## 1.VGA HOT KEY

UP KEY <-----> BRIGHTNESS

DOWN KEY <-----> CONTRAST

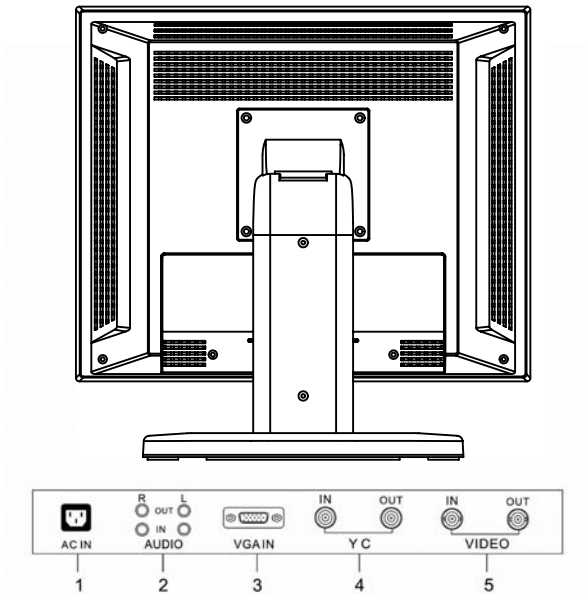
## 2.VGA+A HOT KEY

UP KEY <-----> VOLUME INCREASE

DOWN KEY <-----> VOLUME DECREASE

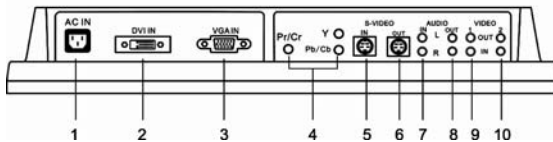
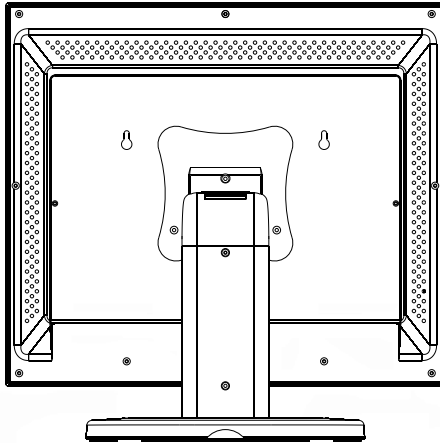
# Inputs Diagram

## Inputs



For 15''&17''

1. AC Power input: AC inlet for 110/220V power system.
2. Audio input/output: Audio signal can be input into RCA sockets And loop through out.
3. VGA IN: This D-sub 15 cable can be connected to a PC or DVR.
- 4.S-Video Input/output: S-Video signal can be input into this DIN Socket and loop through out.
5. Video Input/output: Composite video signal can be input in this BNC Socket and loop through out.



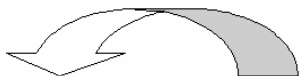
For 19"

1. AC Power input: AC inlet for 110/220V power system
2. DVI: This can be connected with digital signal.
3. VGA IN: This D-sub 15 cable can be connected to a PC or DVR.
4. Pr/Cr Y Pb/Cb: Inputs componet signal
5. S-Video In: Input S-Video signal by DIN socket.
6. S-Video Out: Output S-Video signal by DIN socket.
7. AUDIO IN: These RCA sockets can be connected to audio outputs (L-White terminal' R-Red terminal)
8. AUDIO OUT: These RCA sockets can be output sound to other speakers (L-White terminal' R-Red terminal)
9. VIDEO IN (V1&V2): These BNC sockets can be connected to composite video outputs.
10. VIDEO OUT (V1&V2): These BNC sockets are the loop-through outputs with auto-termination from above video inputs.

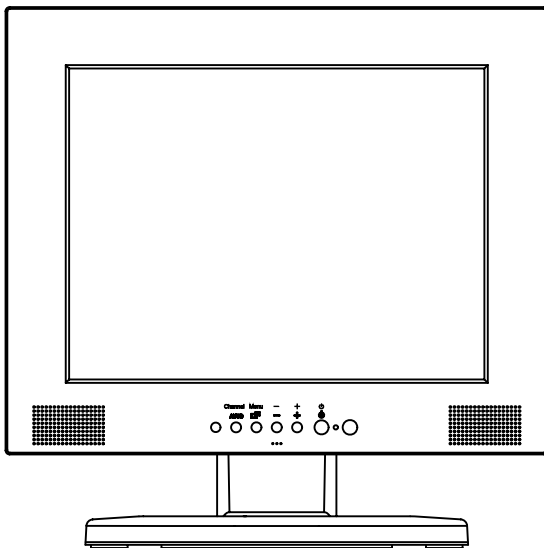
# Display Angle

## Tilting

For viewing clarity can tilt the LCD forward (Down to 3 degrees 15&17 / Down to 5 degrees 19 ) or backward (up to 25 degrees).



Down:3°



Up:25°

# Product Specification

Model Spec	HCD-15AH
LCD Display	15" active matrix TFT LCD panel
Pixel pitch	0.297(H)*0.297(V) mm
Max Resolution	1024(H)*768(V)*XGA
Contrast Ratio	400:1
Brightness	250cd/m <sup>2</sup>
Response Time	16.2ms
Display Color	16.777M
Viewing Angle L/R	+70°~ -70°
U/D	+70°~ -70°
PC Interface Video Sync	RGB analog 0.7Vp p
Display Mode	VGA/XGA
PC connector	15 Pin D <sub>sub</sub> ,BNC IN/OUT ,Audio IN/OUT, S-Video IN/OUT
Front Control	Channel, Menu , Up , Down , Power
OSD Adjustment	Brightness , Contrast , Display adjust, Color temperature , Language , OSD adjust , Audio control, Input selection , Reset , Exit
Power input	DC Input:12V/4A
Operating Consumption	30W
Operating Conditions	Temperature:0°C -40°C Humidity: 20%-80%
Storage Conditions	Temperature:-20°C -60°C Humidity: 20%-80%

Spec \ Model	HCD-17AH
LCD Display	17" active matrix TFT LCD panel
Pixel pitch	0.264(H)*0.264(V) mm
Max Resolution	1280 (H)*1024(V)*SXGA
Contrast Ratio	450:1
Brightness	250cd/m <sup>2</sup>
Response Time	8ms
Display Color	16.2M
Viewing Angle L/R	+70°~ -70°
U/D	+70°~ -70°
PC Interface Video Sync	RGB analog 0.7Vp p
Display Mode	VGA/SVGA/XGA/SXGA
PC connector	15 Pin D <sub>sub</sub> ,BNC IN/OUT ,Audio IN/OUT, S-Video IN/OUT
Front Control	Channel, Menu , Up , Down , Power
OSD Adjustment	Brightness , Contrast , Display adjust, Color temperature , Language , OSD adjust , Audio control, Input selection , Reset , Exit
Power input	DC Input:12V/4A
Operating Consumption	40W
Operating Conditions	Temperature:0°C-40°C Humidity: 20%-80%
Storage Conditions	Temperature:-20°C-60°C Humidity: 20%-80%

Spec \ Model	HCD-19AH
LCD Display	19" active matrix TFT LCD panel
Pixel pitch	0.294(H)*0.294(V) mm
Max Resolution	1280 (H)*1024(V)*SXGA
Contrast Ratio	500:1
Brightness	300cd/m <sup>2</sup>
Response Time	12ms
Display Color	16.2M
Viewing Angle L/R	+70°~ -70°
U/D	+70°~ -70°
PC Interface Video Sync	RGB analog 0.7Vp p
Display Mode	VGA/SVGA/XGA/SXGA
PC connector	15 Pin D <sub>sub</sub> , DVI, Pr/Cr Y Pb/Cb, BNC IN/OUT,S_VIDEO,Audio IN, RCA VIDEO
Front Control	Channel, Menu , Up , Down , Power
OSD Adjustment	Brightness , Contrast , Display adjust, Color temperature , Language , OSD adjust , Audio control, Input selection , Reset , Exit
Power input	DC Input:12V/4A
Operating Consumption	50W
Operating Conditions	Temperature:0°C -40°C Humidity: 20%-80%
Storage Conditions	Temperature:-20°C -60°C Humidity: 20%-80%

## Display Modes

Model	Resolution	H Freq(kHz)	V Freq(Hz)
1	720*350	31.469	70.087
2	720*400	31.469	70.087
3	640*480	31.500	60.000
4	640*480	37.500	75.000
5	800*600	37.879	60.317
6	800*600	46.875	75.000
7	1024*768	48.363	60.004
8	1024*768	60.023	75.029
✱ 9	1280*1024	64.000	60.000
✱ 10	1280*1024	80.000	75.000

✱ FOR: 17" /19"



# **Service Information**

## **Service**

When you buy this excellent LCD Monitor, you are entitle to the warranty provided by us. Please contact us as you need any information or help of our product. Thank you for buying our product again.



## **HUNT ELECTRONIC USA INC.**

11790 Jersey Blvd.  
Rancho Cucamonga, CA 91730  
Tel: (888)993-4868, (909)987-6999  
Fax: (909)987-6997  
techsupport@huntcctv.com  
[www.huntcctv.com](http://www.huntcctv.com)