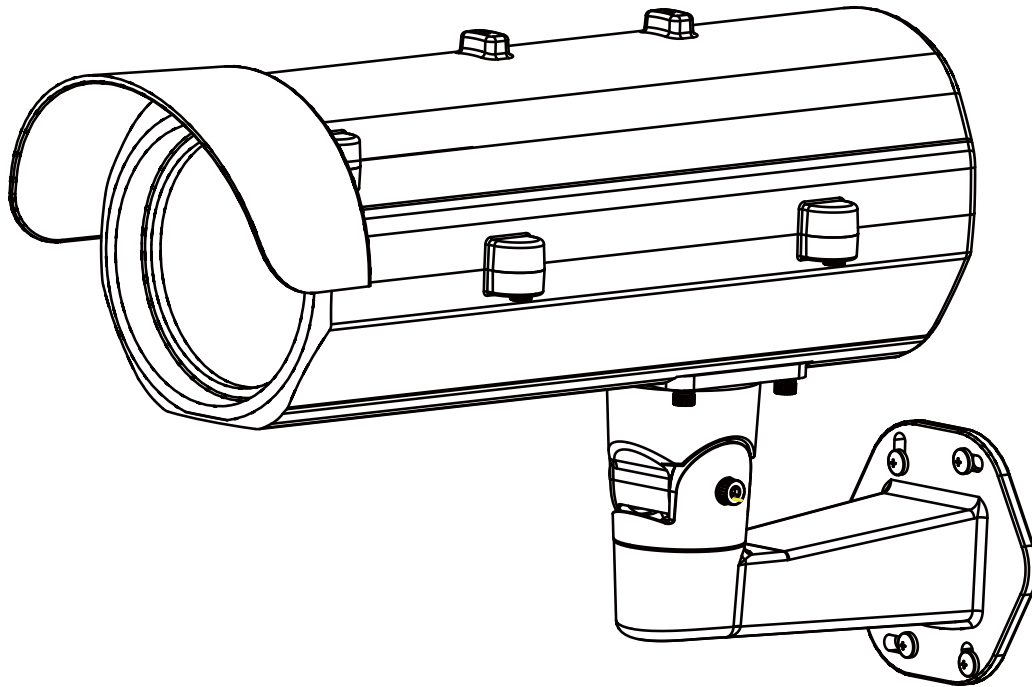


License Plate Capture Camera Instruction Manual



ZEIM-4000188G A.8 510_515

CONTENTS

■ SAFETY INFORMATION.....	1
■ PART DESCRIPTION & DIMENSION.....	3
■ INSTALLATION.....	4
■ SPECIFICATION.....	9

Before attempting to connect or operate this product, please read these instructions carefully and save this manual for future use.

SAFETY INFORMATION

Safety Information:

1. Read this Instruction Manual:
Before using the product, please carefully read through the safety information and operation instructions.
2. Keep this Instruction Manual:
Safely store the Instruction Manual for future reference.
3. Follow instructions:
When operating the unit, please follow instructions on the Instruction Manual.
4. Cleaning:
Before cleaning the unit, please first unplug the power.
5. Peripheral/accessories:
Do not place the unit on an unstable cart, tripod, or on a tabletop as personal injury and damage to the unit may occur due to a fall. Please use officially certified support, frames, and accessories included with the product. Follow the instructions in this Instruction Manual during installation to ensure the quality and maintain safety.
6. Power:
Please follow the labeled specifications on the unit and supply with the correct power. If unsure of the actual power requirements, please contact the distributor and do not connect the power at will.
7. Power cable:
The power cable must be properly secured as improper connections may cause a short circuit, fire hazards, or serious damage and hazards.
8. Lightning strike:
During prolonged inactivity, please unplug the power cable and the video cable to avoid damage from lightning strike and power surges.
9. Foreign objects and fluids:
Please do not insert any objects into the unit or spill liquids to avoid short circuits.
10. Warning:
High voltage circuitry contained within the unit. Do not disassemble to avoid electric shock. All maintenance operations must be handled by qualified maintenance staff.

SAFETY INFORMATION

11. Maintenance:

When the following occurs, please first power off the unit and then perform maintenance by qualified maintenance staff:

- (a). Damaged power cable or socket
- (b). Liquid spills or foreign objects in the unit
- (c). Inoperable unit when proper instructions are followed
- (d). Dropped unit or damaged shell
- (e). Other anomalies

12. Component replacement:

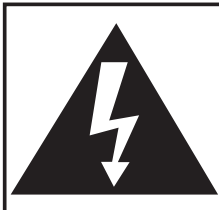
Replaced components by the maintenance staff must be official certified parts of identical specifications. Using unauthorized components can cause fire hazards and electric shock damage.

13. Safety inspection:

After the unit maintenance has been completed, the maintenance staff must perform safety inspection to ensure proper operation.



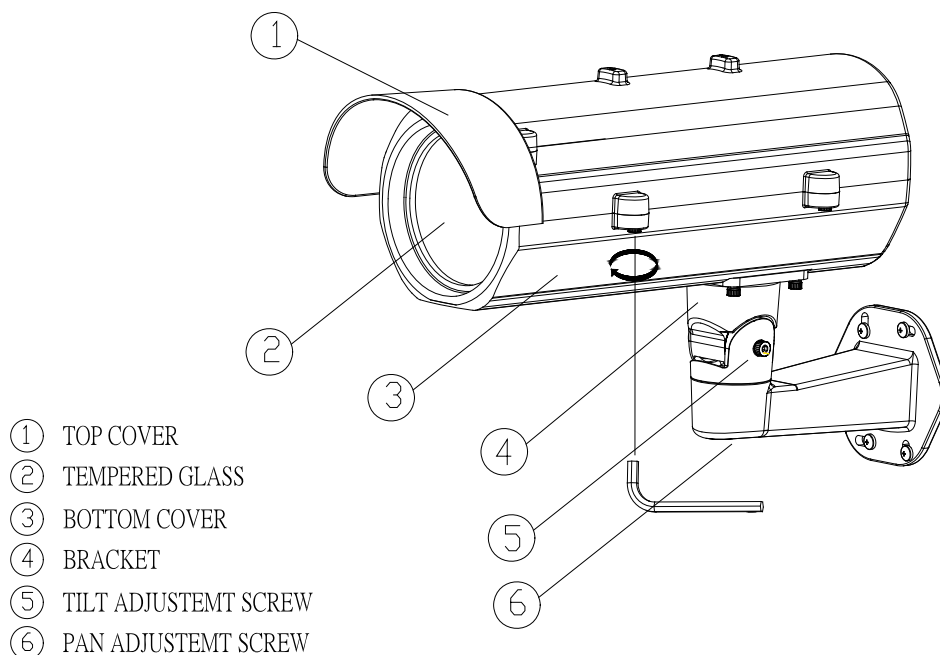
The triangle symbol with lightning arrow indicates that ungrounded “Hazardous Voltage” exists within the unit. The voltage level may cause personal electric shock hazards.



The triangle symbol with exclamation mark indicates that there are important operation and maintenance instructions in the Instruction Manual.

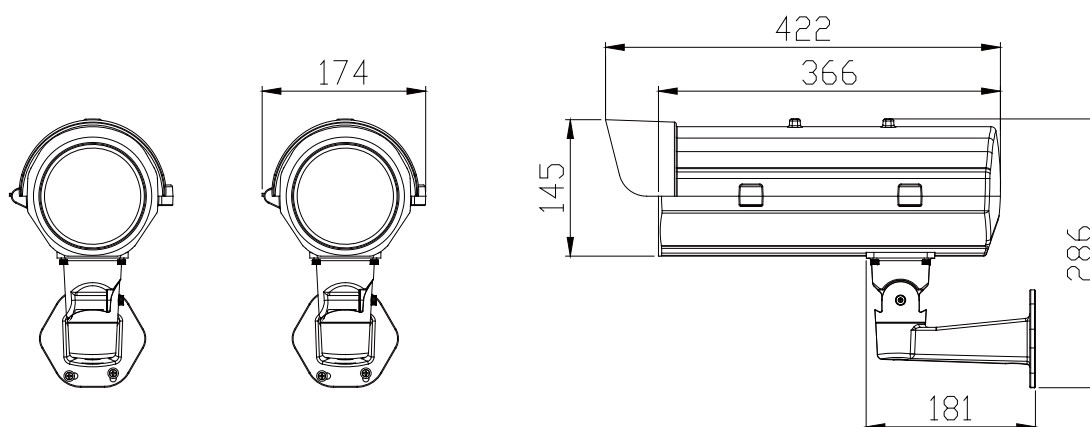
PART DESCRIPTION & DIMENSION

1. Structure Illustration:



The figure above is the illustration of KIT, which consists of License Plate Capture BW camera with IR lamp and color overview camera with IR lamp, these two cameras can be used separately.

2. Dimension and Accessory



Accessory Pack

- (1) 3 Glands
- (2) Hexagon screw driver
- (3) Spacer

INSTALLATION

3. How to install the camera and bracket:

- 3.1 First of all, take out the bracket from the box and put the power cable and video cable through the bracket then fix the bracket to the wall (Fig 3). (Loose the screws of the bracket for easy assembly if necessary.)

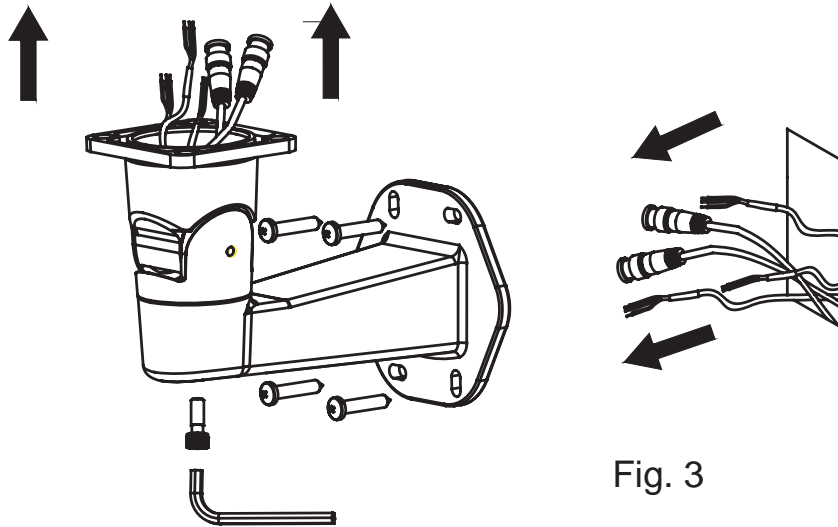


Fig. 3

- 3.2 Secondly, take out the housing and open the side cover with hexagon screw driver (Fig 4).

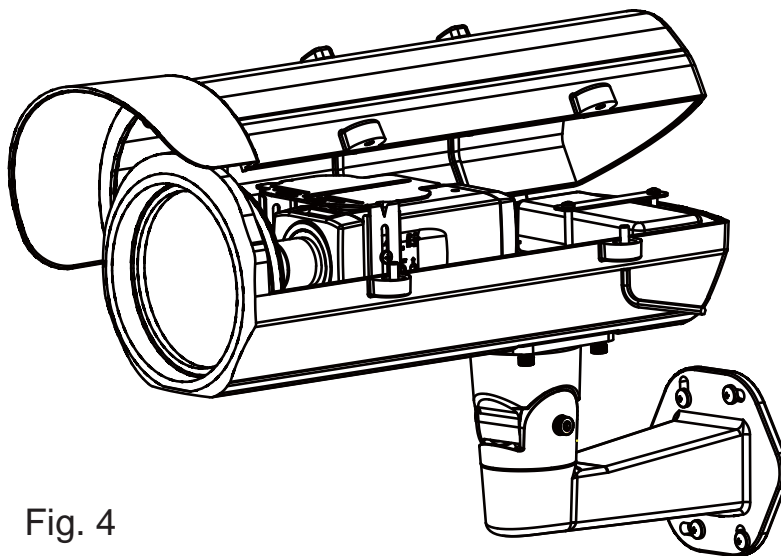


Fig. 4

INSTALLATION

- 3.3 Put the power cable and video cable through the bottom of the housing and let them pass from the hole. (Fig 5)

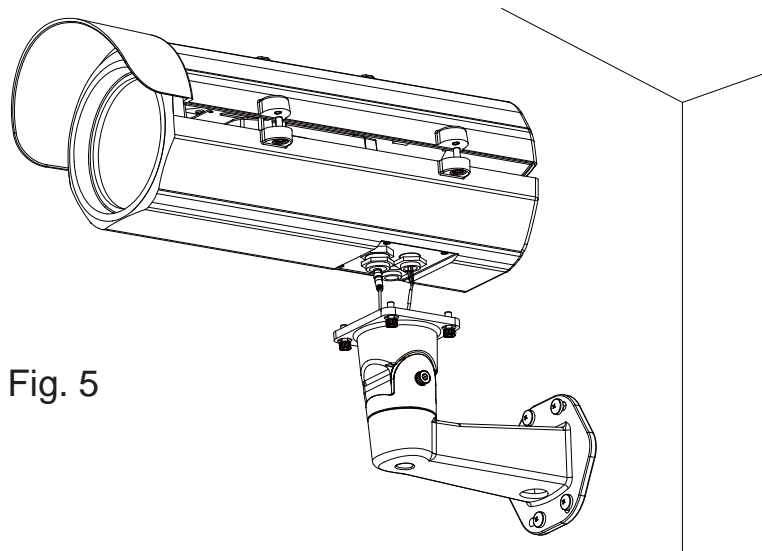


Fig. 5

Attention: Two solutions are available for waterproof: (1) User can take out the spacer from the accessory pack and stick it right by the outlet (Fig 6) or (2) use the three glands cover and let the power cable and video cable pass through the hole of glands cover (Fig7).

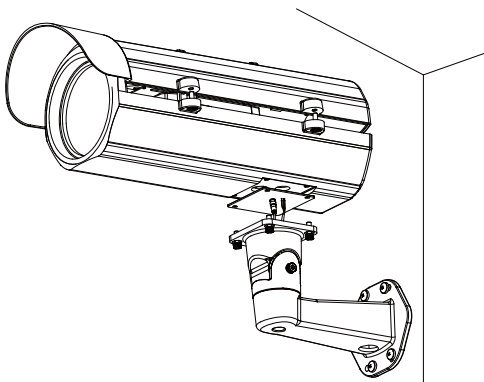


Fig. 6

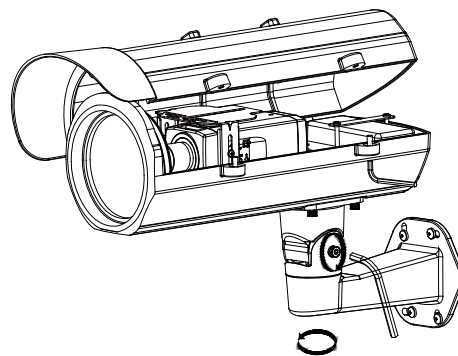


Fig. 7

INSTALLATION

- 3.4 Plug and fix the power cable to the terminal and plug the video cable to video output of the camera (Fig 8).

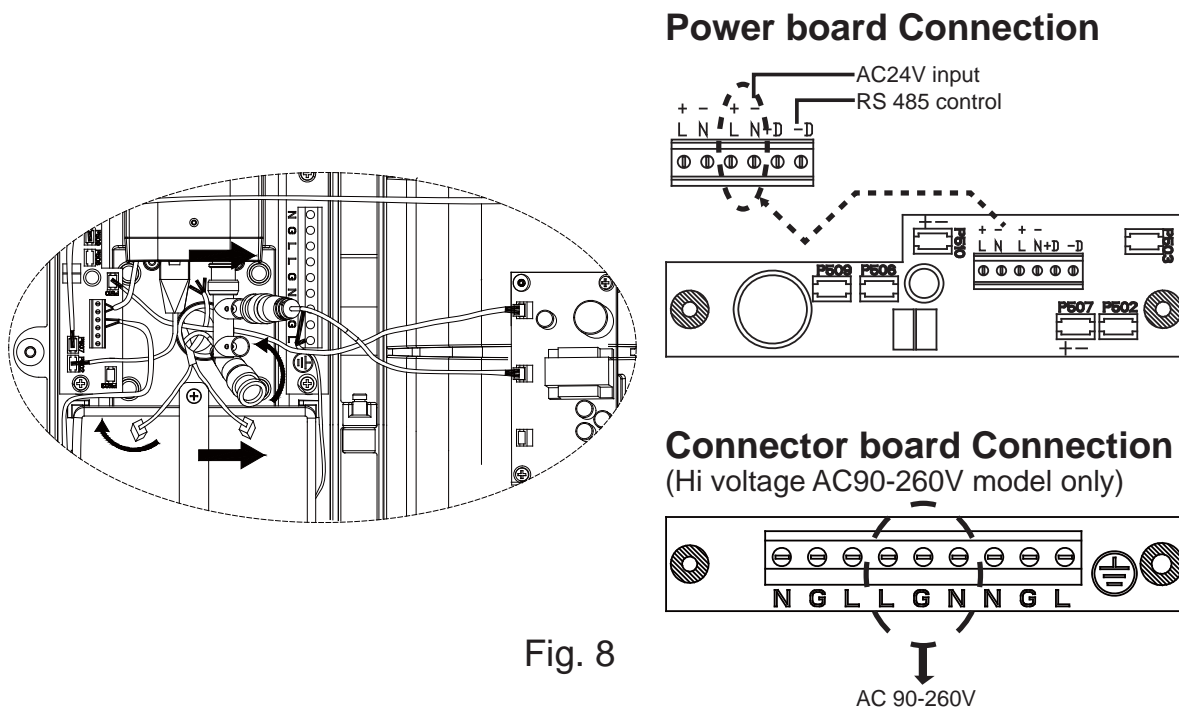


Fig. 8

- 3.5 Lock the three glands tightly for waterproof
- 3.6 Connect the BNC cable to Pin 202 for LED driver board. (Fig 9)

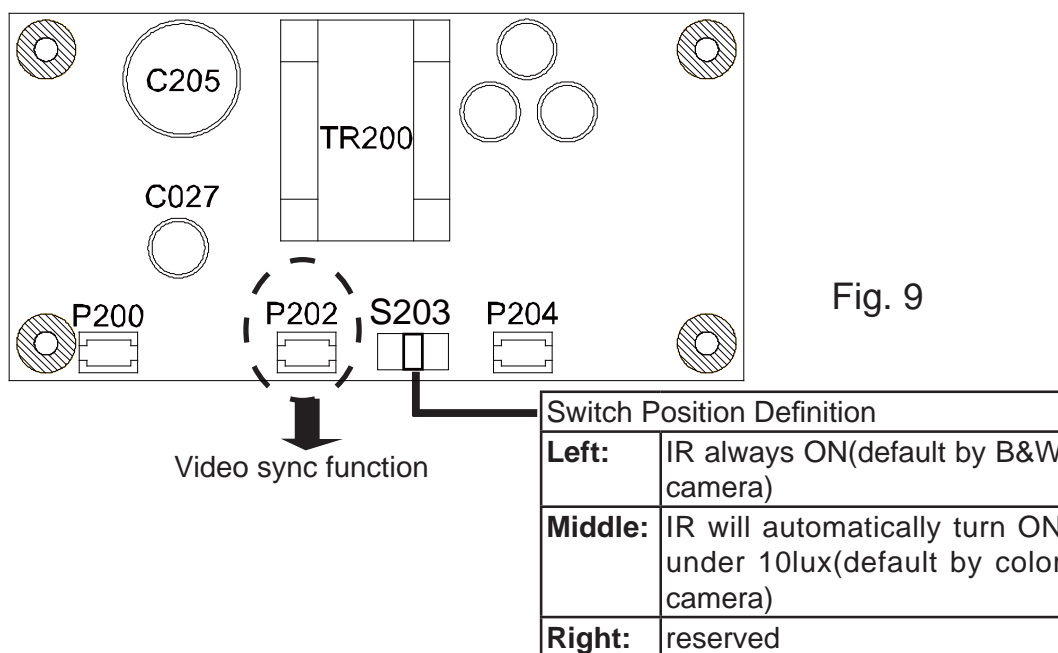
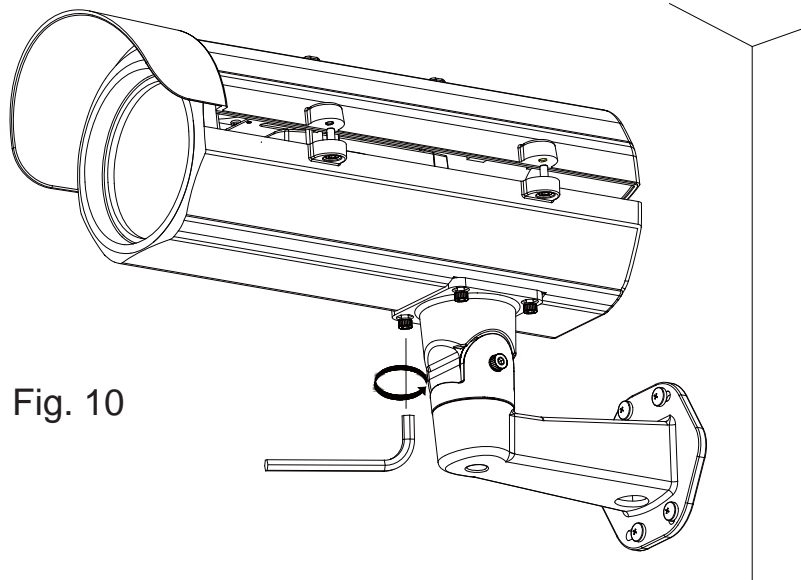


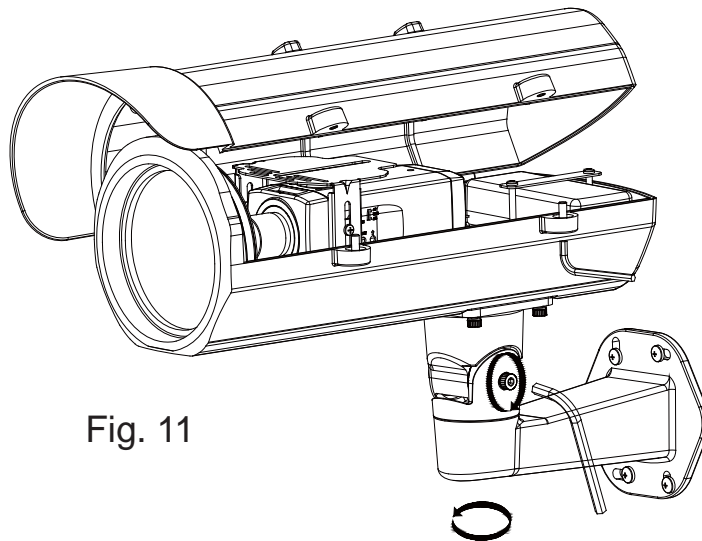
Fig. 9

INSTALLATION

- 3.7 Next, use the provided screws to fix the housing on the bracket with hexagon screw driver (Fig 10) .



- 3.8 Loosen the pan and tilt adjustment screw of the bracket to modify the angle of the housing and then tighten the screw (Fig 11) .



INSTALLATION

3.9 Replace the side cover and tighten the screws (Fig 12, 13).

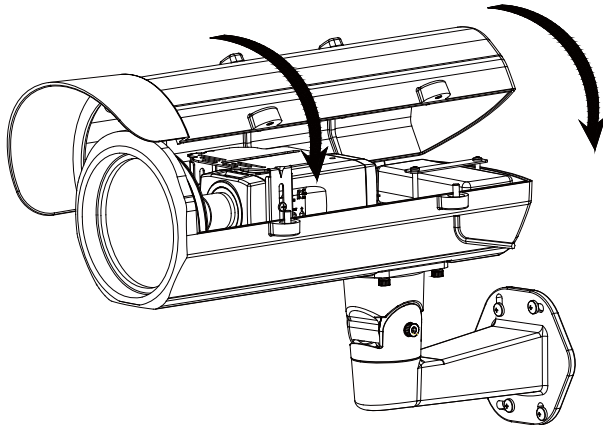


Fig. 12

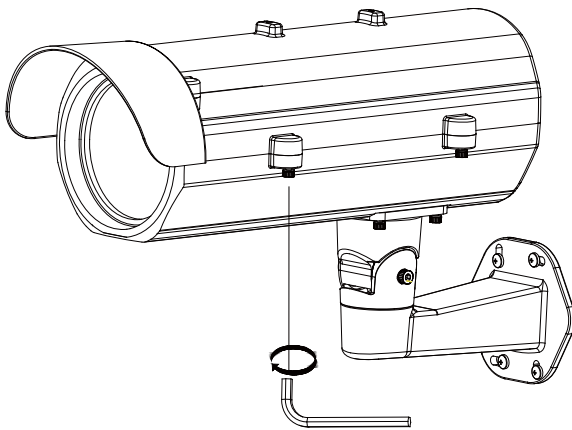


Fig. 13

SPECIFICATION

LICENSE PLATE CAPTURE CAMERA		
Model Type	AC 24 V	AC 90-260 V
Radiant Distance	70M (230ft)	
Glass Thickness	6 mm tempered glass	
IR LED	Wave Length	850 nm
	Quantity	96 Units
	Minimum illumination	0 lux with IR on
Suitable camera dimension (HxDxW)	< 210 x 70 x 90 mm (8.3" x 2.7" x 3.5")	
Diameter of lens suggested	< 45 mm (1.8")	
IP Rating	IP 66/IP 67	
View angle of camera suggested	Less than 50°	
Material	Die-cast aluminum	
Power consumption	45W Approx.	45W Approx.
Dimension	174 x 422 x 145 mm (6.9" x 16.6" x 5.7")	
Weight	6kg (13.22 lb)	
Operating temperature	-30°C~50C° (-22°F~122°F)	
Operating humidity	30% ~ 90% RH	
Storage temperature	-40°C~60C° (-40°F~140°F)	
Camera Sync Input	Yes (V-sync)	

NOTE: The specification is subject to change without notice.

