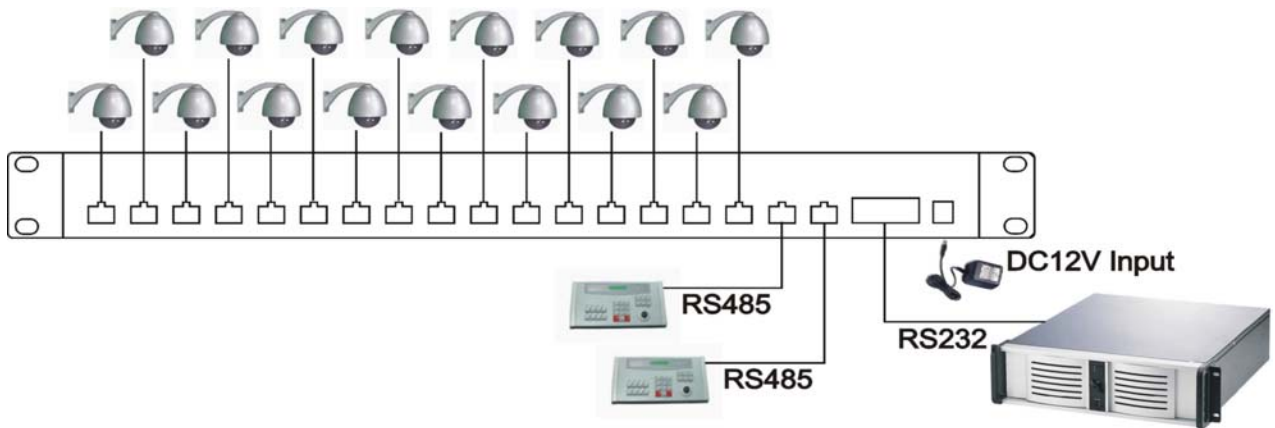


## 16 Channel RS485 Distributor

**ITEM NO.: HTA-RS016**

**HTA-RS016 is a serial data distributor and similar to a repeaters, gives serial data back on 16 outputs at the same time, allowing perfect configurations. The transmission in RS485 and takes places at the same time on all 16 outputs. The receiving mode of the input can be selected in RS485 or RS232.**

### **HTA-RS016 RS485 Distributor 1 Input 16 Output In 1U Rack Mounting Panel**



<b>ITEM NO.</b>	<b>HTA-RS004</b>	<b>HTA-RS008</b>	<b>HTA-RS016</b>
DATA Input	RS232 / RS485 (Terminal Block)		
Data Output Port	4 Port (Terminal Block)	8 Port (Terminal Block)	16 Port (Terminal Block)
Data Output Signal	RS485		
Power Supply	12 VDC		
Power Consumption	350mA		
Operating Temperature	0 ~ 45°C		
Dimension W x H x D mm	133X76X44	482x100X44 (1U)	482x100X44 (1U)
Weight g	425	1050	1100
Material	Metal Black		