

# HD-CCTV Storage

Rev 2.0



## NS04R HD-CCTV External Storage Equipment

### Key Features

- Dedicated storage equipment for DVR
- Supports WEBGATE's HD DVR series
- Max. 128TB storage expansion
- RAID Level 1/5/10 and support Auto-Rebuilding
- IPFR (Intelligent Power Failure Recovery) file system
- At-the-PC Playback of removed DVR HDD
- 4 Hot-Swap, SATA type HDD bays
- Built-in 1 network port for DVR connection
- Built-in 1 network port for NS04R cascade connection

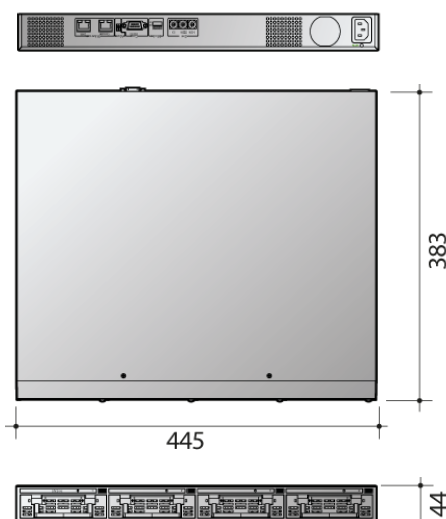
#### Front



#### Back



### Dimensions (unit : mm)



### Specifications

#### SYSTEM

OS	Embedded linux
Storage device	4 SATA interface with hot-swap function
Intelligent file system	Data-loss protection against power failure
Capacity / Unit	Max. 32TB
Capacity Expansion	Max. 128TB by cascaded NS04R Max. 8 NS04R can be cascaded

#### RECORDING

Performance	96Mbps
RAID	RAID level 1/5/10 with Auto Rebuild

#### NETWORK

Connection 1	Gigabit ethernet for DVR connection
Connection 2	Gigabit ethernet for cascaded connection of NS04R

#### ENVIRONMENTAL & PHYSICAL

Dimension	445(W) x 383(D) x 44(H) mm
Weight	Approx. 5.5 Kg (with one HDD)
Operating Temperature	5°C ~ 45°C (41°F ~ 113°F)
Power	AC free voltage (100 ~ 240V), 50/60Hz
Power consumption	Max. 85W Typical 60W
Approval	FCC, CE, MIC, RoHS